



Garden

Dimensions :

Catalog Number	Width	Height	Projection	Weight
BWL-WS-23/54/30-1/INC/100-GAR	22½"	54"	30"	18 Lbs
BWL-S-23/20/23-1/INC/100-GAR	22½"	20"	22½"	8 Lbs

Technical Specifications :

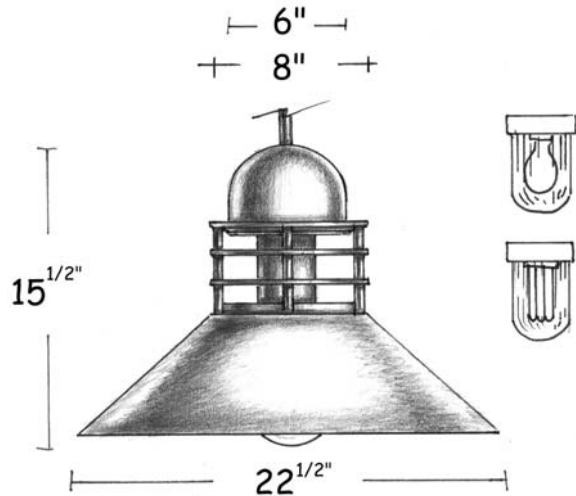
Name	Light Source	Material	Finishes	Listing & Mounting
Garden	Incandescent Bulb 1 x 100W A-19	Aluminium and Glass	Painted Aluminium Available in all finishes (see page F)	To J-Box ETL-UL-CSA

Le Lampiste 4791 Chemin de la Savane, St-Hubert, Québec, Canada, J3Y 9G1
 Tel : 1-450-462-1137 / 1-800-919-1136 Fax : 1-450-462-1150 @mail : lampiste@qc.aira.com
 © 2001 Le Lampiste de Beloeil Inc.



DIMENSIONS :

Catalog Number	Width	Height	Projection	Weight
BWL-WS-23/54/30-1/INC/100-GAR	22½"	54"	30"	18 Lbs
BWL-S-23/20/23-1/INC/100-GAR	22½"	20"	22½"	8 Lbs



LIGHT SOURCE :

Catalog Number	Type
BWL-WS-23/54/30-1/INC/100-GAR	Incandescent Bulb 1 x 100W A-19
BWL-S-23/20/23-1/INC/100-GAR	Incandescent Bulb 1 x 100W A-19

ADDITIONALS NOTES :

Comes in 12" to 36" diameter.

Also comes in Compact Fluorescent

Available in all finishes and materials (see page F).

Dimensions, finishes and lamping as listed.

For others, fill your request list below:

Width	
Height	
Projection	
Materials	
Finishes	
Light Source	

Fax or email to factory for quotation

Le Lampiste 4791 Chemin de la Savane, St-Hubert, Québec, Canada, J3Y 9G1
 Tel : 1-450-462-1137 / 1-800-919-1136 Fax : 1-450-462-1150 @mail : lampiste@qc.aira.com

©2001 Le Lampiste de Beloeil Inc.