



Deco

Dimensions :

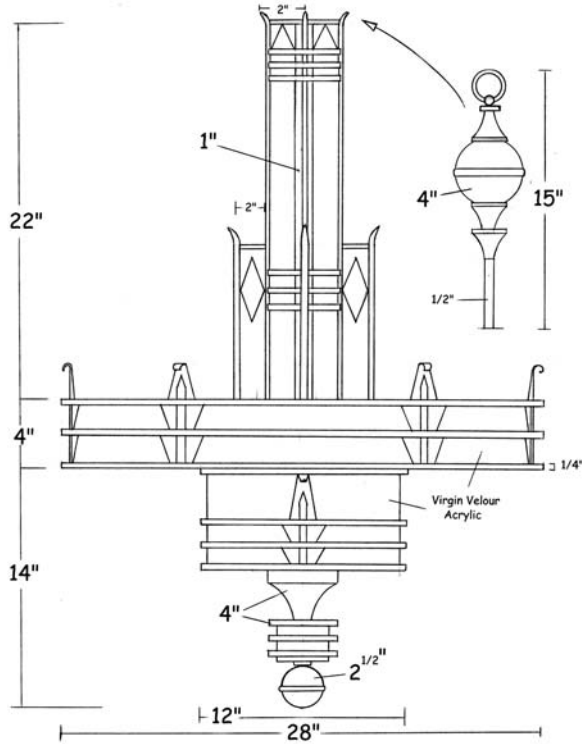
| Catalog Number | Diameter | Height | Projection | Weight |
|------------------------------|----------|--------|------------|--------|
| CYL-S-28/55/28-6/INC/100-PRI | 28" | 55" | - | 75 Lbs |

Technical Specifications :

| Name | Light Source | Material | Finishes | Listing & Mounting |
|-------------|--|--|---|--|
| Deco | Incandescent Bulb 6 x 100W A-19 + 3 x 25W G-16½ | Stainless Steel , Copper and Acrylic | Satin Stainless Steel , Satin Copper and Virgin Velour™ Acrylic. Available in all finishes (see page F) | To J-Box and Structure ETL-UL- CSA |

Le Lampiste 4791 Chemin de la Savane, St-Hubert, Québec, Canada, J3Y 9G1
 Tel : 1-450-462-1137 / 1-800-919-1136 Fax : 1-450-462-1150 @mail : lampiste@qc.aira.com
 © 2001 Le Lampiste de Beloeil Inc.

Le Lampiste



DIMENSIONS :

| Catalog Number | Diameter | Height | Projection | Weight |
|------------------------------|----------|--------|------------|--------|
| CYL-S-28/55/28-6/INC/100-PRI | 28" | 55" | - | 75 Lbs |

LIGHT SOURCE :

| Catalog Number | Type |
|------------------------------|---|
| CYL-S-28/55/28-6/INC/100-PRI | Incandescent Bulb 6 x 100W A-19 + 3 x 25W G-16½ |

ADDITIONALS NOTES :

Available up to 96" diameter.

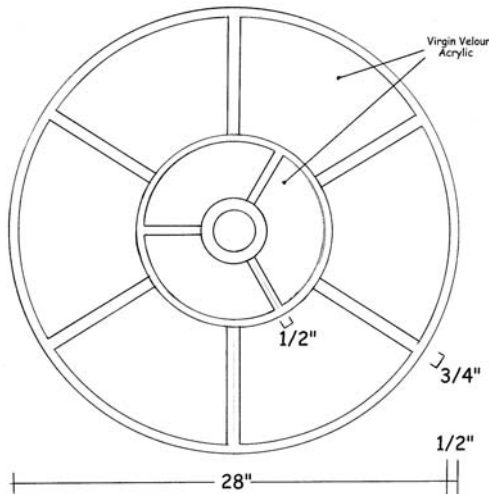
Available in all finishes and material (see page F)

Dimensions, finishes and lamping as listed.

For others, fill your request list below:

| | |
|--------------|--|
| Diameter | |
| Height | |
| Materials | |
| Finishes | |
| Light Source | |

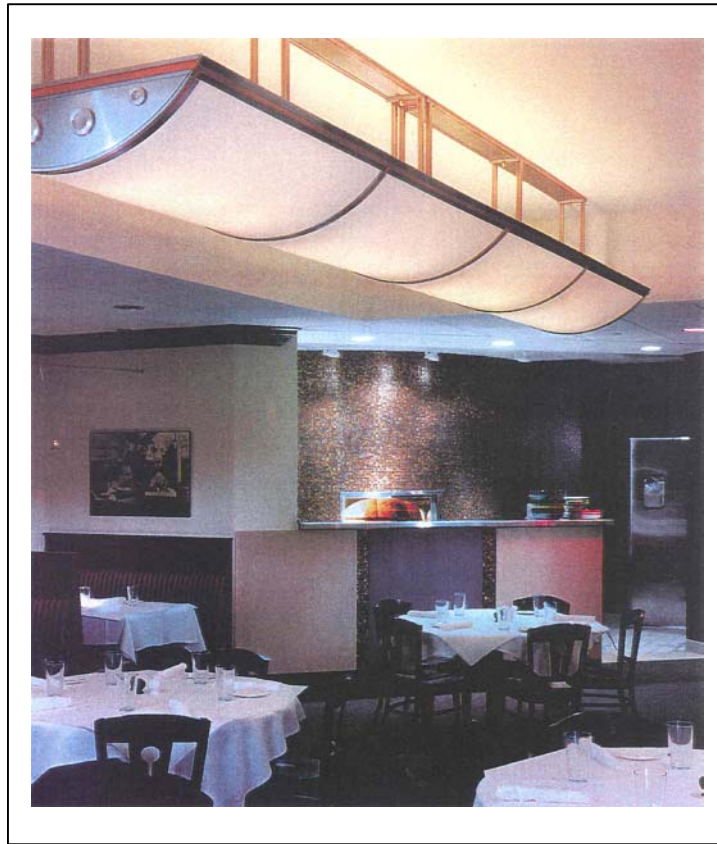
Fax or email to factory for quotation



Le Lampiste 4791 Chemin de la Savane, St-Hubert, Québec, Canada, J3Y 9G1
 Tel : 1-450-462-1137 / 1-800-919-1136 Fax : 1-450-462-1150 @mail : lampiste@qc.aira.com

©2001 Le Lampiste de Beloeil Inc.

Le Lampiste



Eugenie

Dimensions :

| Catalog Number | Width | Height | Length | Weight |
|--------------------------------|-------|--------|--------|---------|
| BWL-S-36/42/192-24/INC/100-EUG | 36" | 42" | 192" | 200 Lbs |

Technical Specifications :

| Name | Light Source | Material | Finishes | Listing & Mounting |
|----------------|----------------------------------|--|---|--|
| Eugenie | Incandescent Bulb 24 x 100w A-19 | Stainless Stell , Solid Copper and Acrylic | Shown in Satin Stainless Stell , Solid Satin Copper and Virgin Velour™ Acrylic. Available in all finishes (see page F) | To J-Box and Structure ETL-UL-CSA |

Le Lampiste 4791 Chemin de la Savane, St-Hubert, Québec, Canada, J3Y 9G1
 Tel : 1-450-462-1137 / 1-800-919-1136 Fax : 1-450-462-1150 @mail : lampiste@qc.aira.com
 © 2001 Le Lampiste de Beloeil Inc.