



Alisée

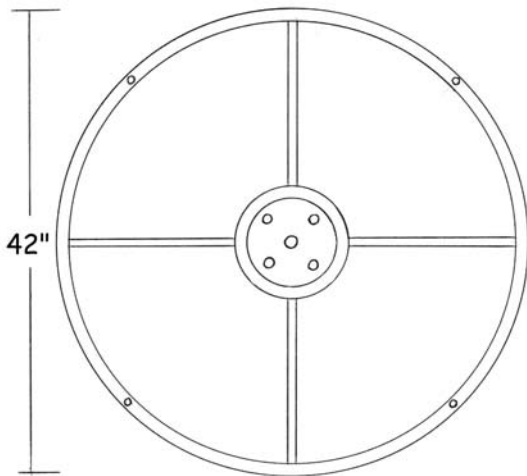
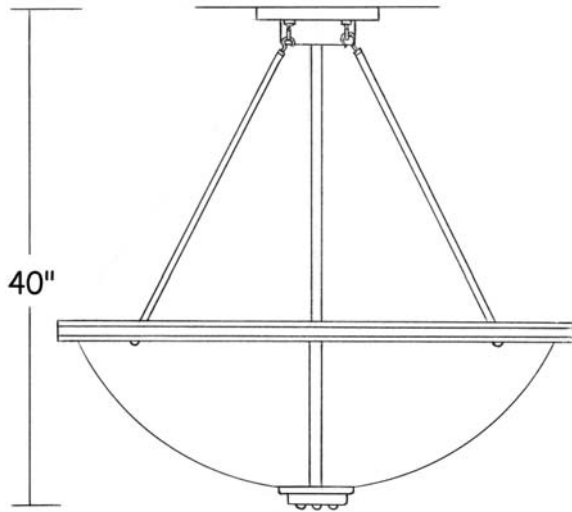
Dimensions :

| Catalog Number | Diameter | Height | Projection | Weight |
|------------------------------|----------|--------|------------|--------|
| BWL-S-42/40/42-8/INC/100-ALI | 42" | 40" | - | 35 Lbs |

Technical Specifications :

| Name | Light Source | Material | Finishes | Listing & Mounting |
|---------------|----------------------------|--|--|--------------------------------------|
| Alisée | Incandescent 8 x 100W A-19 | Solid Brass, Stainless Steel and Acrylic | Satin Brass, Satin Stainless Steel and Faux Alabaster Acrylic. Available in all finishes (see page F) | To J-Box and to structure ETL-UL-CSA |

Le Lampiste 4791 Chemin de la Savane, St-Hubert, Québec, Canada, J3Y 9G1
 Tel : 1-450-462-1137 / 1-800-919-1136 Fax : 1-450-462-1150 @mail : lampiste@qc.aira.com
 © 2001 Le Lampiste de Beloeil Inc.



DIMENSIONS :

| Catalog Number | Diameter | Height | Projection | Weight |
|------------------------------|----------|--------|------------|--------|
| BWL-S-42/40/42-8/INC/100-ALI | 42" | 40" | - | 35 Lbs |

LIGHT SOURCE :

| Catalog Number | Type |
|------------------------------|----------------------------|
| BWL-S-42/40/42-8/INC/100-ALI | Incandescent 8 x 100W A-19 |

ADDITIONALS NOTES :

Shown in 42" diameter. Available in 16" to 96" diameter.

Available in all finishes and materials (see page F).

Available in compact fluorescent.

Dimensions, finishes and lamping as listed.

For others, fill your request list below:

| | |
|--------------|--|
| Diameter | |
| Height | |
| Materials | |
| Finishes | |
| Light Source | |

Fax or email to factory for quotation

Le Lampiste 4791 Chemin de la Savane, St-Hubert, Québec, Canada, J3Y 9G1
 Tel : 1-450-462-1137 / 1-800-919-1136 Fax : 1-450-462-1150 @mail : lampiste@qc.aira.com
 ©2001 Le Lampiste de Beloeil Inc.