



*Stratoria*

**Dimensions :**

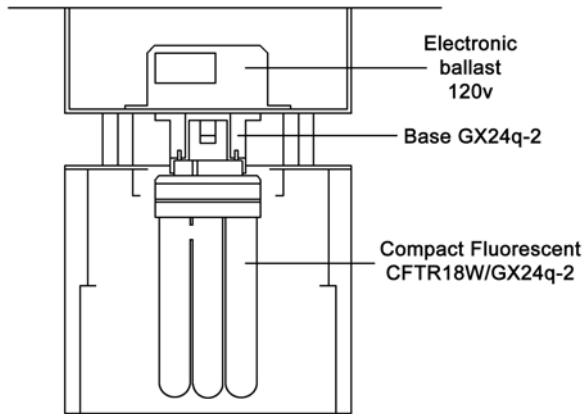
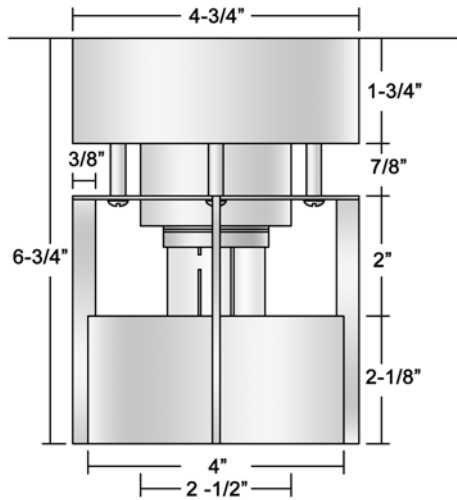
<b>Catalogue Number</b>	<b>Diameter</b>	<b>Height</b>	<b>Projection</b>	<b>Weight</b>
CYL-DC-D-5/7/5-1/CF/18-STR	5"	7"	-	5 Lbs

**Technical Specifications :**

<b>Name</b>	<b>Light Source</b>	<b>Material</b>	<b>Finishes</b>	<b>Listing &amp; Mounting</b>
<b>Stratoria</b>	Compact Fluorescent 1x18w PL-T	Steel and Aluminium	White Urethane painted	To J-Box ETL-UL-CSA

***Le Lampiste*** 4791 Chemin de la Savane, St-Hubert, Québec, Canada, J3Y 9G1  
 Tel : 1-450-462-1137 / 1-800-919-1136 Fax : 1-450-462-1150 @mail : [info@lampiste.com](mailto:info@lampiste.com)

© 2004 Le Lampiste de Beloeil Inc.



**DIMENSIONS :**

Catalogue Number	Diameter	Height	Projection	Weight
CYL-DC-D-5/7/5-1/CF/18-STR	5"	7"	-	5 Lbs

**LIGHT SOURCE :**

Catalogue Number	Type
CYL-DC-D-5/7/5-1/CF/18-STR	Compact Fluorescent 1x18w PL-T

**ADDITIONALS NOTES :**

Available in Incandescent

Available in all finishes (see page F)

Dimensions, finishes and lamping are standard as listed unless special order are requested.

Diameter	
Height	
Materials	
Finishes	
Light Source	

*Fax or email to factory for quotation*

**Le Lampiste** 4791 Chemin de la Savane, St-Hubert, Québec, Canada, J3Y 9G1  
 Tel : 1-450-462-1137 / 1-800-919-1136 Fax : 1-450-462-1150 @mail : [info@lampiste.com](mailto:info@lampiste.com)  
 ©2004 Le Lampiste de Beloeil Inc.