



*Mathilde*

**Dimensions :**

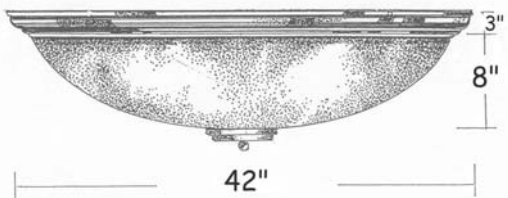
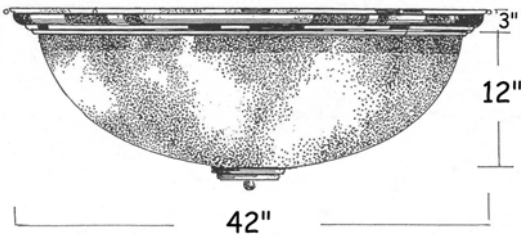
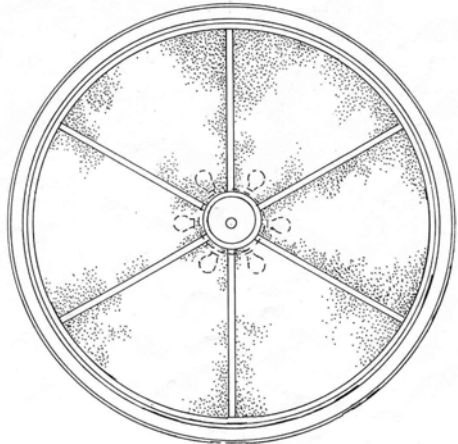
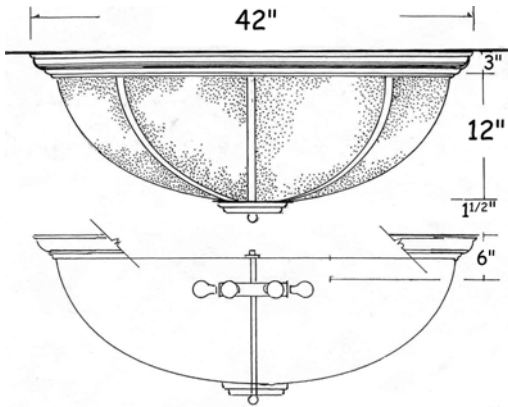
Catalog Number	Diameter	Height	Projection	Weight
BWL-DC-42/13/42-8/INC/100-MAT	42"	13"	-	25 Lbs
BWL-DC-42/15/42-8/INC/100-MAT	42 "	15"	-	26 Lbs

**Technical Specifications :**

Name	Light Source	Material	Finishes	Listing & Mounting
<b>Mathilde</b>	Incandescent Bulbs 8 x 100W A-19	Solid Brass and Acrylic	Shown in Rust finish and Faux Alabaster Acrylic. Available in all finishes (see page F)	To J-Box ETL-UL-CSA

**Le Lampiste** 4791 Chemin de la Savane, St-Hubert, Québec, Canada, J3Y 9G1  
 Tel : 1-450-462-1137 / 1-800-919-1136 Fax : 1-450-462-1150 @mail : [lampiste@qc.aira.com](mailto:lampiste@qc.aira.com)  
 © 2001 Le Lampiste de Beloeil Inc.

# Le Lampiste



## DIMENSIONS :

Catalog Number	Width	Height	Projection	Weight
BWL-DC-42/13/42-8/INC/100-MAT	42"	13"	-	25 Lbs
BWL-DC-42/15/42-8/INC/100-MAT	42 "	15"	-	26 Lbs

## LIGHT SOURCE :

Catalog Number	Type
BWL-DC-42/13/42-8/INC/100-MAT	Incandescent Bulbs 8 x 100W A-19
BWL-DC-42/15/42-8/INC/100-MAT	Incandescent Bulbs 8 x 100W A-19

## ADDITIONALS NOTES :

These fixtures are also available in 18" to 42" diameter.

Also comes in compact fluorescent 32w - 42w - 70w.

Available in all finishes and materials (see page F).

Dimensions, finishes and lamping as listed.

For others, fill your request list below:

Diameter	
Height	
Materials	
Finishes	
Light Source	

*Fax or email to factory for quotation*

**Le Lampiste** 4791 Chemin de la Savane, St-Hubert, Québec, Canada, J3Y 9G1  
 Tel : 1-450-462-1137 / 1-800-919-1136 Fax : 1-450-462-1150 @mail : [lampiste@qc.aira.com](mailto:lampiste@qc.aira.com)  
 ©2001 Le Lampiste de Beloeil Inc.